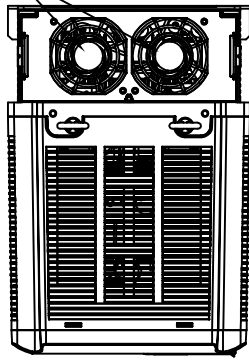
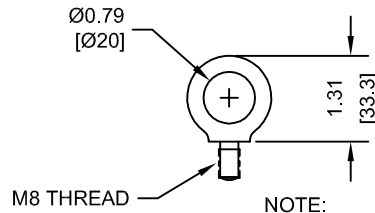


(2) EXTERNAL COOLING FANS

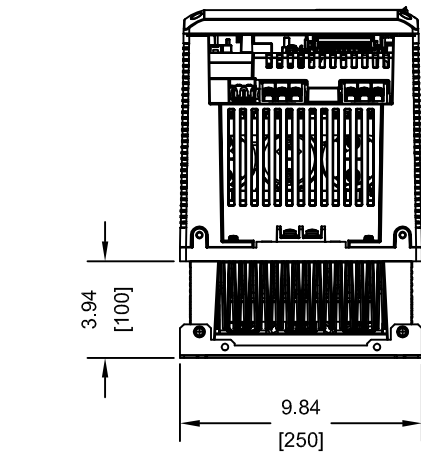
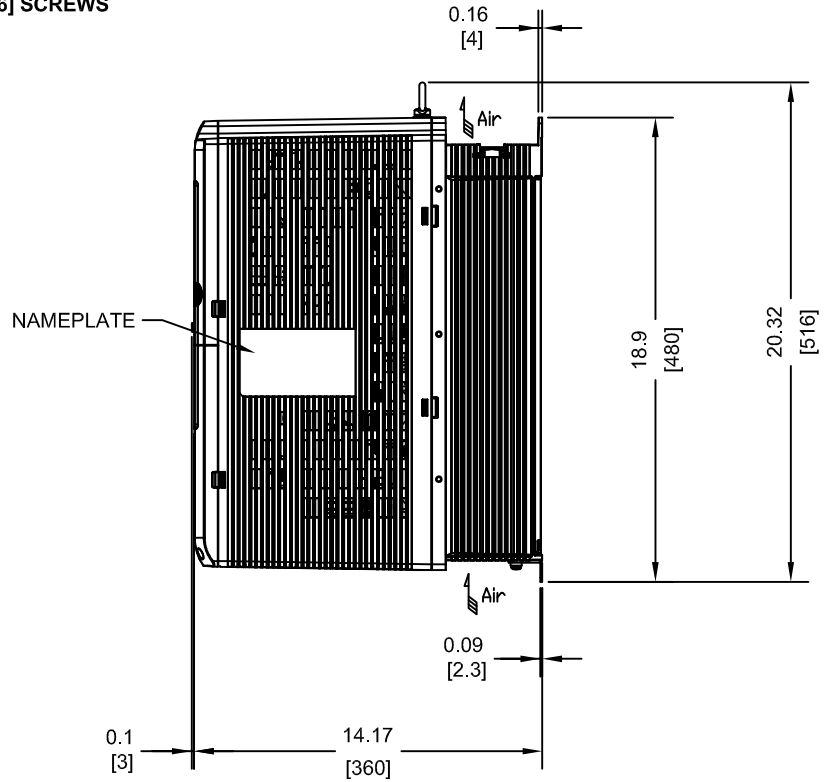
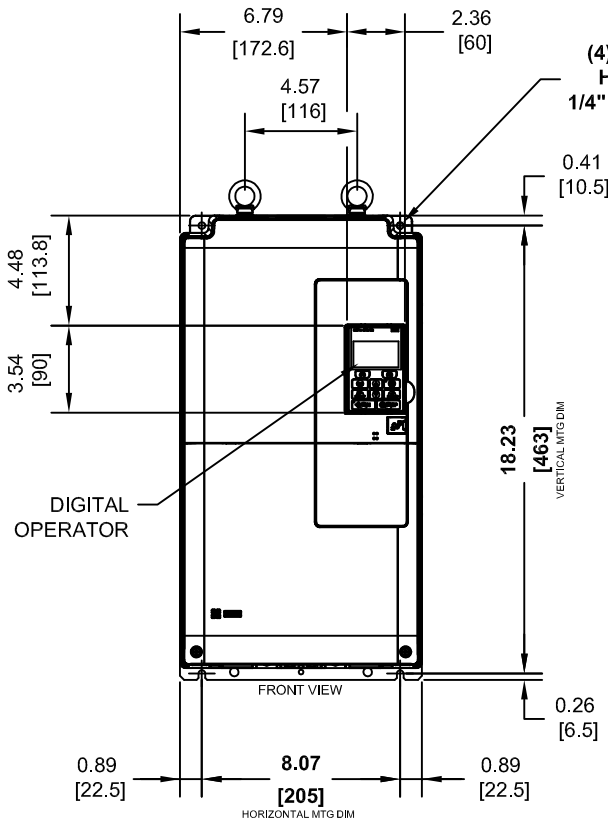


LIFTING AND EYEBOLT DETAILS



NOTE:  
SPREADER BAR REQUIRED TO AVOID DAMAGE DURING LIFTING

(4)-MOUNTING HOLES FOR 1/4" [M6] SCREWS



MODEL # CIMR-UU	VOLTAGE 3-PHASE (VAC)	OUTPUT CURRENT (A)		WEIGHT LBS (Kg)	WEIGHT WITH EMC FILTER LBS (Kg)	HEAT LOSS (W)					
		ND	HD			ND (Fc=4kHz)			HD (Fc=4kHz)		
						INT	EXT	TOT	INT	EXT	TOT
2Y0028AXX	200/240	28	22	44 (20)	46 (21)	103	659	762	91	543	634
4Y0011AXX	380/500*	11	9.6	44 (20)	46 (21)	80	452	532	76	415	491
4Y0014AXX		14	11	44 (20)	46 (21)	79	459	538	70	372	442
4Y0021AXX		21	14	44 (20)	46 (21)	105	641	746	80	438	518
4Y0027AXX		27	21	44 (20)	46 (21)	106	675	781	93	549	642
4Y0034AXX		34	27	44 (20)	46 (21)	124	798	922	107	658	765

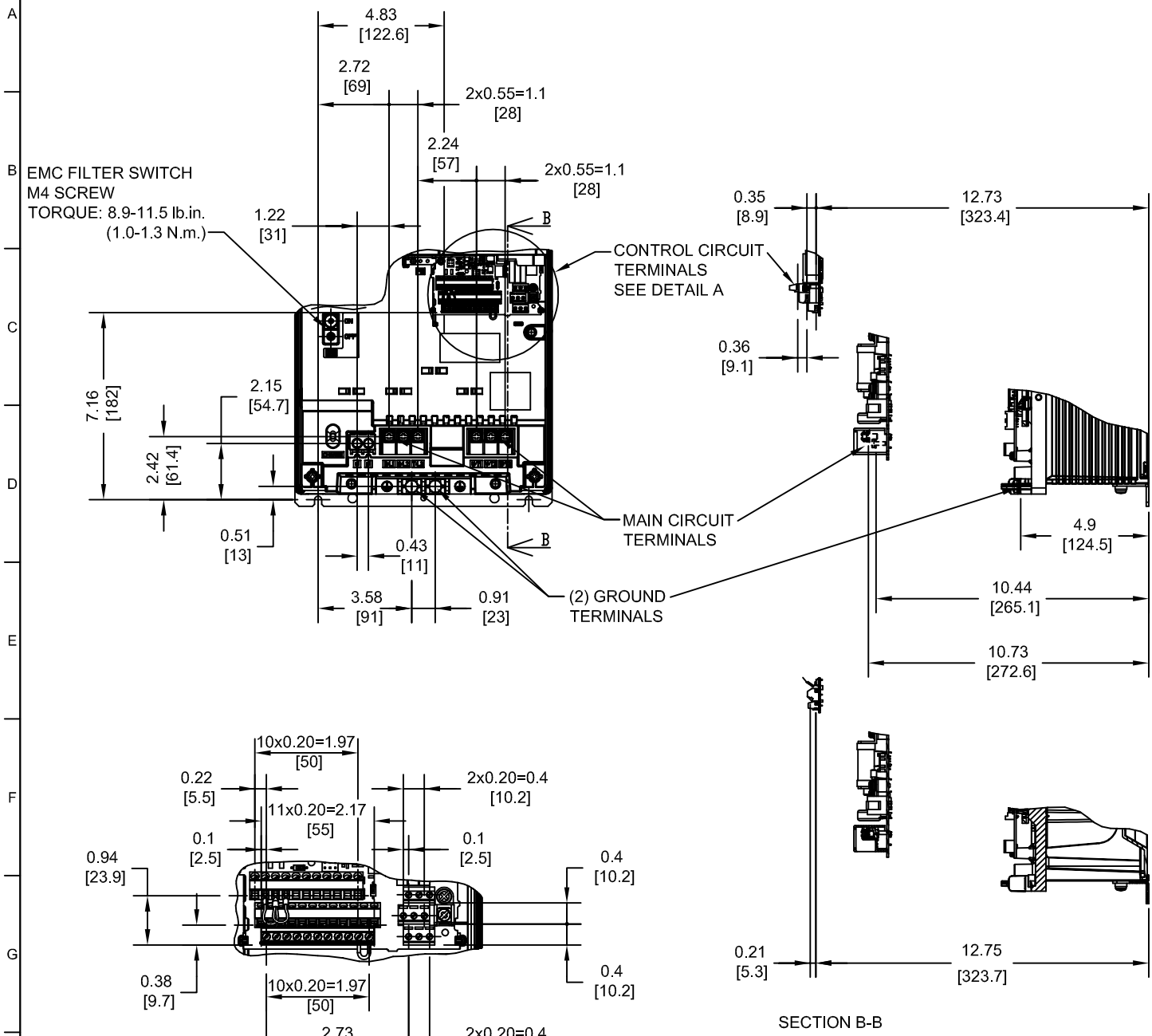
NOTES:  
Y DENOTES A-Z  
XX DENOTES AA-ZZ  
\* - FOR MODELS WITH INTEGRAL EMC FILTER,  
VOLTAGE RATING IS 380/480.

INT=INTERNAL COMPONENTS  
EXT=EXTERNAL HEATSINK  
TOT=TOTAL

FOR ADDITIONAL DETAILS AND SPECIFICATIONS, CONSULT MANUAL

TOLERANCES / REFERENCES:			DRAWN: J. MATTAS CHECKED: J. PIOTROWSKI TECH: J. BORJA APPROVED: J. CAIRO ORIGINAL DESIGN: -	DATE: 11-11-14 DATE: 11-19-14 DATE: 11-20-14 DATE: 12-11-14 DATE: -	TITLE: U1000 DIMENSION DRAWING FRAME SIZE 1 IP00 ENCLOSURE 2A0028 AND 4A0011 - 4A0034 SIZE: A REVISION: R01 PAGE: 1 of 3
UNITS: IN[mm]	SCALE: 1:8		THIS DOCUMENT AND INFORMATION CONTAINED IN IT ARE CONFIDENTIAL, AND CANNOT BE COPIED OR DISCLOSED IN WHOLE OR IN PART WITHOUT THE EXPRESS WRITTEN CONSENT OF YASKAWA AMERICA, INC.	DRAWING #: <b>DD.U1K.FR1.IP00</b>	

TERMINAL AND WIRING DETAILS (SCALE 1:6)



DETAIL A (SCALE 1:3)  
CONTROL CIRCUIT TERMINALS

TERMINAL AND WIRE SPECIFICATIONS FOR  
MAIN CIRCUIT AND GROUND

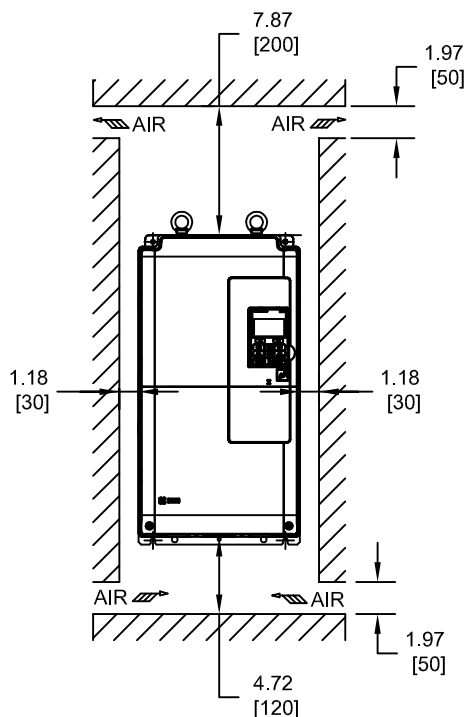
MODEL # CIMR-UU	TERMINAL SYMBOL	TERMINAL SCREW	CLAMPING TORQUE lb.in.(N.m.)	WIRE RANGE AWG(mm <sup>2</sup> )
2A0028	R/L1, S/L2, T/L3	M5	20.4 TO 23.9 (2.3 TO 2.7)	14 TO 8 (2.5 TO 10)
4A0011	U/T1, V/T2, W/T3			
4A0014	p1, n1	M4	8.9 TO 12.4 (1 TO 1.4)	14 TO 12 (2.5 TO 4)
4A0021		M6	34.7 TO 43.4 (3.9 TO 4.9)	10 TO 6 (6 TO 16)
4A0027				
4A0034				

NOTE: REFER TO APPLICABLE CODES FOR PROPER WIRE TYPE AND SIZE

FOR ADDITIONAL DETAILS AND SPECIFICATIONS, CONSULT MANUAL

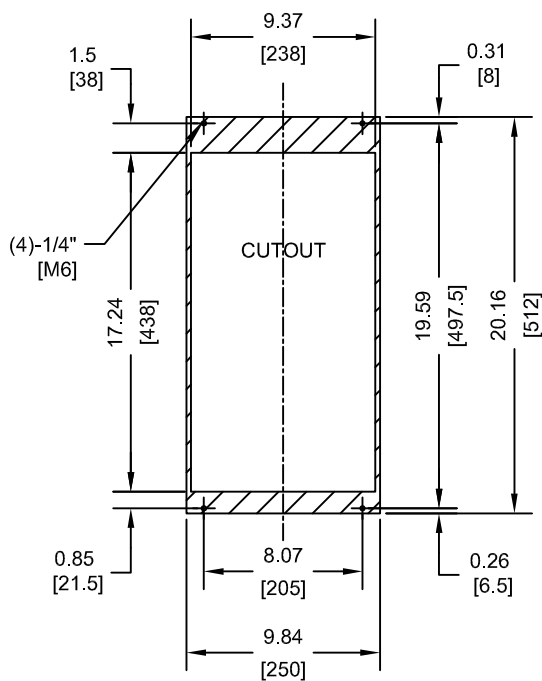
TOLERANCES / REFERENCES:			DRAWN: J. MATTAS DATE: 11-11-14	DATE: 11-11-14	TITLE: U1000 DIMENSION DRAWING FRAME SIZE 1 IP00 ENCLOSURE 2A0028 AND 4A0011 - 4A0034	
UNITS: IN[mm]	SCALE: BY VIEW		CHECKED: J. PIOTROWSKI DATE: 11-19-14	DATE: 11-19-14		SIZE: A
		THIS DOCUMENT AND INFORMATION CONTAINED IN IT ARE CONFIDENTIAL, AND CANNOT BE COPIED OR DISCLOSED IN WHOLE OR IN PART WITHOUT THE EXPRESS WRITTEN CONSENT OF YASKAWA AMERICA, INC.	TECH: J. BORJA DATE: 11-20-14	DATE: 11-20-14		
		APPROVED: J. CAIRO DATE: 12-11-14	ORIGINAL DESIGN: -	DATE: -	DRAWING #: DD.U1K.FR1.IP00	

MINIMUM INSTALLATION CLEARANCES (SCALE 1:12)



NOTE:  
FOR SIDE-BY-SIDE MOUNTING  
CONSULT MANUAL

PANEL CUTOUT FOR EXTERNAL HEATSINK  
MOUNTING CONFIGURATION (SCALE 1:10)



NOTES:  
1. EXTERNAL HEATSINK  
CONFIGURATION REQUIRES  
MOUNTING KIT  
2. EXPOSED HEATSINK  
RECOMMENDED CLEARANCE  
D=4.72"

FOR ADDITIONAL DETAILS AND SPECIFICATIONS, CONSULT MANUAL

TOLERANCES / REFERENCES:		<p>THIS DOCUMENT AND INFORMATION CONTAINED IN IT ARE CONFIDENTIAL, AND CANNOT BE COPIED OR DISCLOSED IN WHOLE OR IN PART WITHOUT THE EXPRESS WRITTEN CONSENT OF YASKAWA AMERICA, INC.</p>	DRAWN: J. MATTAS CHECKED: J. PIOTROWSKI TECH: J. BORJA APPROVED: J. CAIRO ORIGINAL DESIGN: -	DATE: 11-11-14 DATE: 11-19-14 DATE: 11-20-14 DATE: 12-11-14 DATE: -	TITLE: U1000 DIMENSION DRAWING FRAME SIZE 1 IP00 ENCLOSURE 2A0028 AND 4A0011 - 4A0034 SIZE: A REVISION: R01 PAGE: 3 of 3
UNITS: IN[mm]	SCALE: BY VIEW		DRAWING #: <b>DD.U1K.FR1.IP00</b>		